



I AUTODESK® **INVENTOR® PROFESSIONAL**

Make great products
with professional grade
engineering tools



Deliver innovative products faster

Autodesk® Inventor® software provides professional-grade engineering solutions for 3D mechanical design, simulation, tool creation, and design communication that help you to make great products, cost-effectively, in less time. With Inventor software, engineers can integrate 2D and 3D data into a single design environment, creating a virtual representation of the final product that enables them to validate the form, fit, and function before it's built.

Facing these challenges?

- Increase innovation while reducing time to market
- Repurpose existing DWG™ design data
- Prepare non-native CAD models for new designs
- Optimize product performance while minimizing physical prototypes
- Rapidly create production-ready drawings for manufacturing
- Collaboration with architects on BIM projects
- Reduce time spent searching for designs for reuse
- Piping and wiring designs take too long to develop
- Multiple CAD systems for design and manufacturing
- Automate processes to satisfy demands for mass customization

Design automation technology

The path to design innovation requires quality time. Give yourself more time by reducing repetitive tasks with the automation tools included with Inventor. Parametric modeling and specialized tools for sheet metal, weld frame design, and a robust library of standard components and engineering calculators will help you to focus on the most important aspects of your role as an engineer. Build rules and forms using iLogic technology and Inventor API to quickly configure new designs from existing projects. Autodesk is committed to providing scalability as your company grows in your automation strategy.

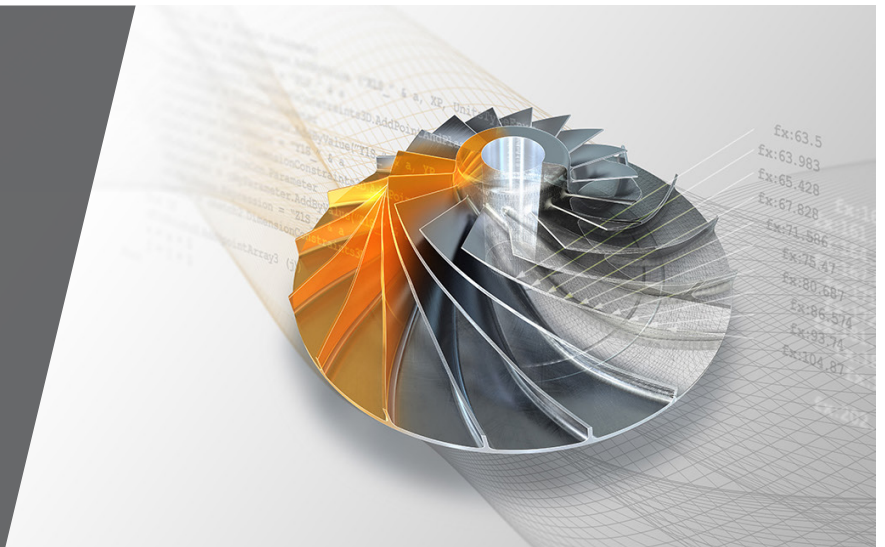


Image courtesy of FS-Elliott



Participate in BIM projects

The ability to read and author BIM data gives you a competitive advantage that enables you to participate in BIM projects. The Inventor BIM content environment includes an associative connection between your native Revit family data and your engineering model. The quality of your BIM ready content will help you collaborate with architects and increase your opportunity to get spec'd into their projects.



Image courtesy of Briggs Automotive Company

Improve design collaboration and communication

Inventor is tightly integrated with Autodesk® Vault, enabling the efficient and secure exchange of design data and promoting early collaboration between design and manufacturing workgroups. AnyCAD technology enables collaboration in a multi-CAD environment by providing an associative connection with STEP, CATIA, SolidWorks, Siemens NX, Solid Edge, PTC Creo, PTC Wildfire, Autodesk Alias, and AutoCAD 2D directly to Inventor without file translation.

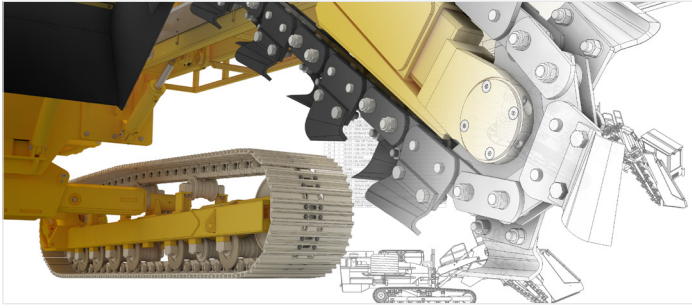


Image courtesy of Mastenbroek

Integrated 2D and 3D design

With Inventor, you can easily integrate AutoCAD® and 3D data into a single digital model to create a virtual representation of the final product. Inventor helps you realize the benefits of 3D product development by providing an associative link to native DWG files that ensures accuracy in your design. Utilizing valuable DWG data with Inventor can help you compete more effectively, service your clients better, and make great products.

10 reasons to choose Inventor

- Shape generator helps to promote the best design possible
- Open and connected workflow for non-native Inventor data
- Flexible modeling tools include parametric and free-form
- Large assembly and drawing performance
- Rules-based design and automation tools to accelerate design
- Advanced visualization, illustration, and animation tools
- Automated and associative bill of materials
- Robust motion simulation and stress analysis tools
- Design tools for routing rigid pipes, bent tubes, and flexible hoses
- Provide fabrication information directly to your 3D model

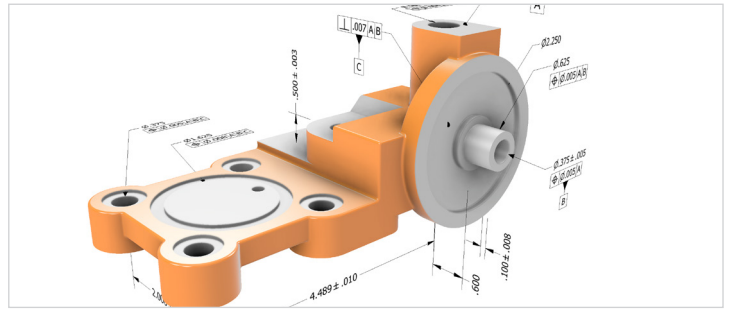
Learn more at autodesk.com/products/inventor/overview

“The performance improvements in drawing view creation alone has the potential to save us an astounding 40% or more time. This is a significant factor when taking into consideration everything from cost to schedule.”

–**Craig Breckenridge**
TMT Lead Designer
Dynamic Structures

“To model an impeller manually took a couple of days previously. With the Inventor iLogic it takes about 15 minutes.”

–**Alex Curtin**
Mechanical Engineer
FS-Elliot



Clearly convey design intent to manufacturing

There is a growing demand for engineering organizations to get design data to manufacturing more efficiently. Inventor provides model-based definition for adding all necessary fabrication instruction information directly to the 3D model. This eliminates the need for a traditional 2D drawing used by CNC programmers for tolerances and surface finish on the design.



Make Great Products

Autodesk Inventor helps you design better quality products, faster. Accomplish more with Inventor when you connect it with other product design tools in the Product Design and Manufacturing Collection.

- Execute machining strategies with integrated 2.5-axis to 5-axis milling, turning, and mill-turn CAM
- Associatively connect 2D electrical design with 3D mechanical design models
- Plan, design, and validate manufacturing facilities

Learn more at <https://www.autodesk.com/collections/product-design-manufacturing/overview>.

Autodesk Education

Autodesk offers students and educators a variety of resources to help ensure students are prepared for successful design careers, including access to free* software, curricula, training materials, and other resources. Anyone can get expert guidance at an Autodesk Authorized Training Center (ATC®) site, and validate skills with Autodesk Certification. Learn more at www.autodesk.com/education.

Learn more or purchase

Access specialists worldwide who can provide product expertise, a deep understanding of your industry, and value that extends beyond your software. To license Autodesk Inventor software, contact an Autodesk Authorized Reseller. Locate a reseller near you at www.autodesk.com/reseller.

Autodesk Subscription

Autodesk® Subscription gives you a greater advantage with powerful cloud-based services, access to the latest software, online technical support, and flexible licensing privileges.** Learn more at www.autodesk.com/subscription.

Autodesk Drive

Use CAD-aware cloud storage from Autodesk Drive to securely store, share, and preview any type of design data. Unlike generic cloud storage solutions, Drive is made for CAD, CAM, and BIM—so it can preview 2D or 3D files, manage references, and store 60+ different file types—fitting seamlessly into your workflow.

*Free products are subject to the terms and conditions of the end-user license agreement that accompanies download of this software.

**All Subscription benefits are not available for all products in all geographies. Please consult your Autodesk reseller or sales representative for more information.

Autodesk, the Autodesk logo, AutoCAD, Autodesk Inventor, and DWG are registered trademarks or trademarks of Autodesk, Inc., and/or its subsidiaries and/or affiliates in the USA and/or other countries. All other brand names, product names, or trademarks belong to their respective holders. Autodesk reserves the right to alter product and services offerings, and specifications and pricing at any time without notice, and is not responsible for typographical or graphical errors that may appear in this document.

© 2021 Autodesk, Inc. All rights reserved.